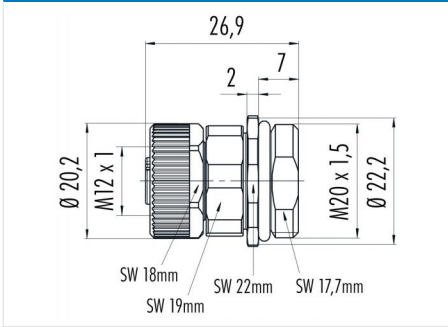


Product description	M12-A female panel mount connector, Contacts: 8, shieldable, screw clamp, IP68, UL, M20x1.5
Area	M12-A series 713
Order number	86 0432 0003 00008

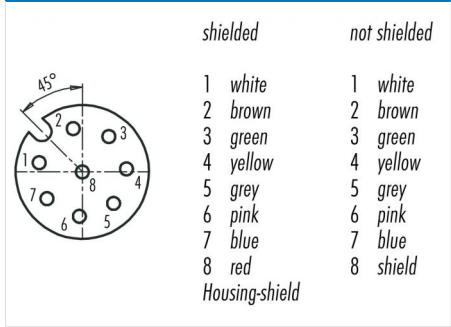
Illustration



Scale drawing



Contact arrangement (Plug-in side)



You can find the assembly instructions on the next page.

Technical data

General values

Notice	Please note that, due to the change from the old to the new order number, there may be deviations in the technical specifications. For questions about product details, please use the 'Contact Customer Service' form on the right.
Connector design	female panel mount connector
Connector locking system	screw
Termination	screw clamp
Wire gauge (mm)	0.50 mm ²
Wire gauge (AWG)	20
Upper limit temperature	85 °C
Lower limit temperature	-40 °C
Customs tariff number	85369010
Packaging Unit	100

Electrical values

Rated current (40 °C)	1.5 A (2 A UL)
Rated voltage	30 V
Rated impulse voltage	800 V
Pollution degree	3
Overvoltage category	II
Insulating material group	III
Insulation resistance	> 10 ⁸ Ω
EMC compliance	shieldable
Degree of protection	IP68
Mechanical operation	> 100 Mating cycles

Material

Contact material	CuSn (bronze) / CuZn (brass)
Contact plating	Au (gold)
Contact body material	PA
Housing material	Zinc die-cast nickel-plated
REACH SVHC	CAS 7439-92-1 (Lead)

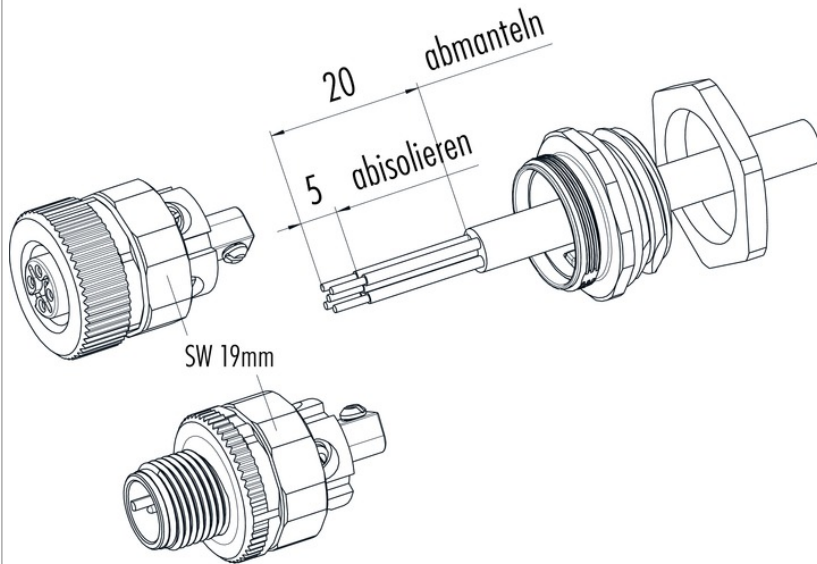
Cable data

Approval 1	UL
------------	----

Product description **M12-A female panel mount connector, Contacts: 8, shieldable, screw clamp, IP68, UL, M20x1.5**

Area **M12-A series 713**
 Order number **86 0432 0003 00008**

Assembly instructions / Panel cut-out



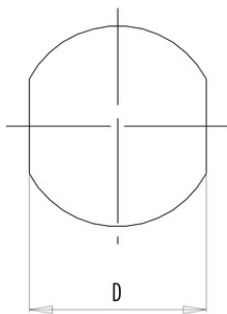
Litzenquerschnitt
 min. 0,14 mm² 4-, 5-, 8-polig
 max. 1,5 mm² 4-, 5-polig
 max. 0,5 mm² 8-polig

Kontakteinsatz
 4 x 90° verdrehbar

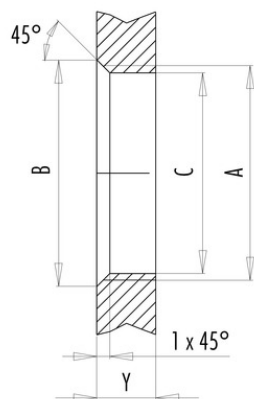
Anzugsdrehmoment
 SW 19 Mutter = 5 Nm M18 x 0,75
 M20 x 1,5 = 5 Nm

Assembly instructions / Panel cut-out

With flats as anti-rotation device



With bore hole



Installation direction:
 o-ring sits on chamfer.

Thread	Measures			Tightening torque	
	B (mm)	C (mm)	D (mm)	Metal housing/ Positioning sleeve	Plastic housing/ Positioning sleeve
PG 9	16,2	15,3	13,5	1,25 Nm	1,25 Nm
PG 11	20,2	18,7	17,0	2 Nm	–
PG 13,5	21,5	20,5	–	2 Nm	–
M12 x 0,5	–	12,1	–	–	0,4 Nm
M12 x 1	–	12,2	–	1 Nm	–
M14 x 1	15,2	14,2	–	1,25 Nm	–
M16 x 1,5	17,0	16,1	13,5	1,25 Nm	1,25 Nm
M20 x 1,5	21,0	20,1	–	2 Nm	1,25 Nm

Thickness of wall Y (mm)		
Version	min (mm)	max (mm)
Fastened from back side	2	3,5
Front fastened	2	4,5
Positioning possible ¹⁾	2	3,5
Screw clamp	2	3,5
Thread M12 x 1	2	3,0
Thread M14 x 1 ²⁾	³⁾ 1,5/ ⁴⁾ 2	6,5

Notes

- ¹⁾ Do not attach a chamfer
- ²⁾ Wall thickness:
 use locknut 01-5385
 up to 1,5 mm,
 >1,5 mm cut thread
- ³⁾ Nut
- ⁴⁾ Thread in wall of housing

Product description	M12-A female panel mount connector, Contacts: 8, shieldable, screw clamp, IP68, UL, M20x1.5
Area	M12-A series 713
Order number	86 0432 0003 00008

Security notices

The connectors are designed for use in plant, control system and electrical equipment. The end user is responsible for checking whether the connectors are suitable for use in other applications.